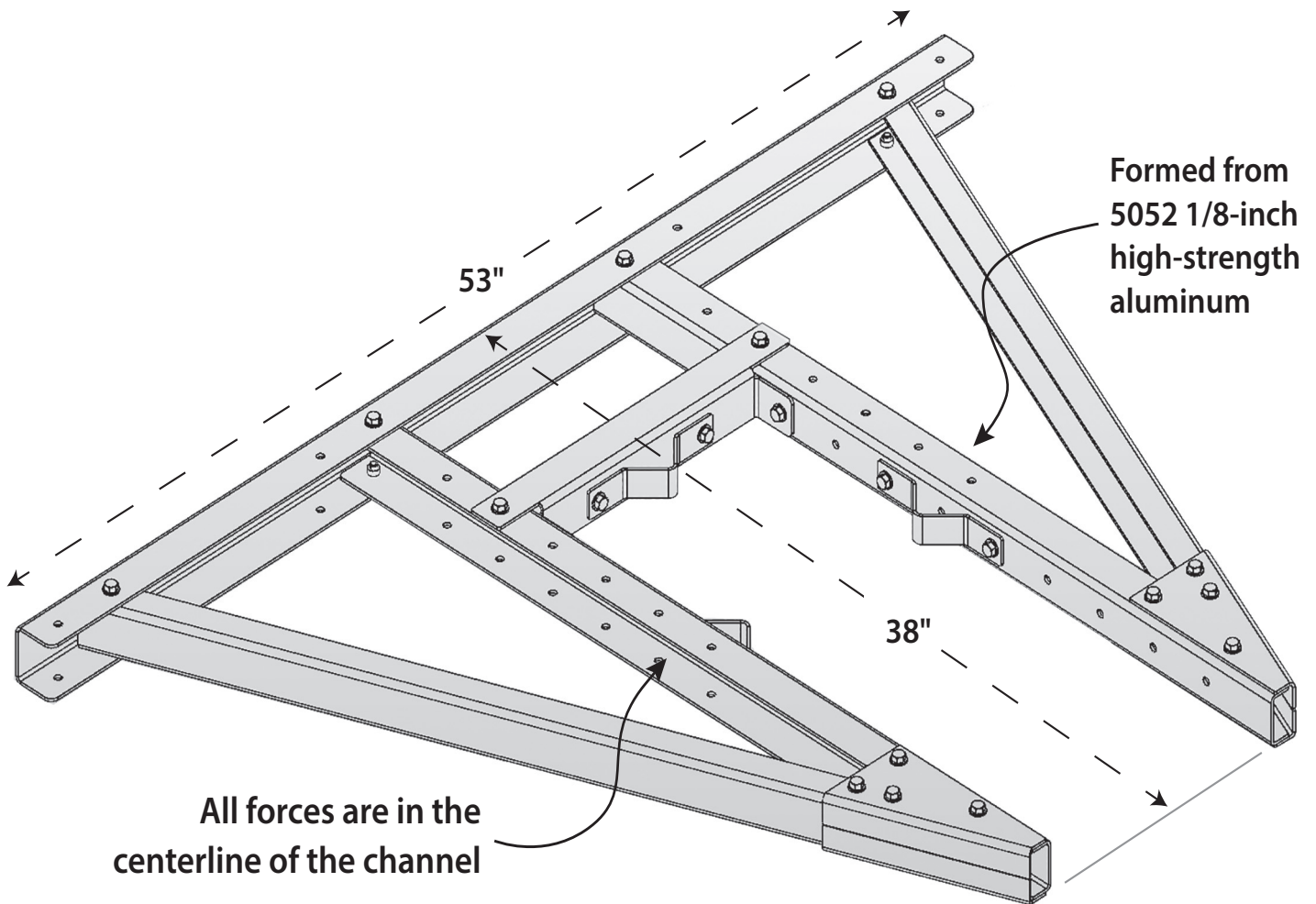


# Heavy-Duty 25G Adjustable Wall Bracket

Lighter and stronger than the competition!



*Competitively priced*

Weight: 19 lbs. ■ Easy Assembly

*Available from DX Engineering*



**Carlson Roof Towers**

A SOLID BASE FOR CLEAR COMMUNICATION

[www.rooftowers.com](http://www.rooftowers.com) • [sales@rooftowers.com](mailto:sales@rooftowers.com)